

# DK-031 - Equal Tee



**Spare Part Number:** DK-031  
**Net Weight:** 0.11kg  
**Net Dimensions:** 0.00cm x 0.00cm x 0.00cm

## Description

### DK-031 - Equal Tee Ø10

Connection of 3 tubes at two 90° angles.

0104 10 00

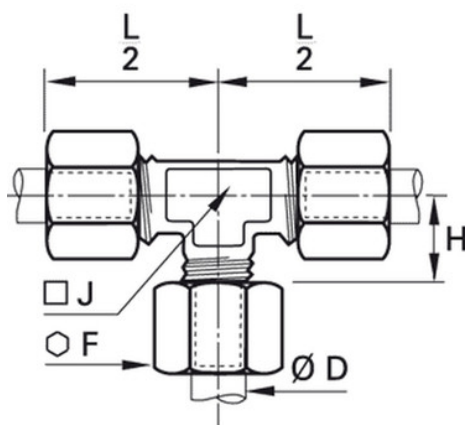
## Specifications

maximum working pressure	550 bar	55 MPa	7977 psi
working temperature	-60 to 250 °C	-76 to 482 °F	213 to 523 °K
vacuum capability	755 mm Hg		
olive	BRASS		
body	BRASS		
nut	BRASS		

ØD	F	H	J	L_2	Weight
(MM)	(inc)	(inc)	(inc)	(inc)	(kg)

0104 10 00 10 0.75 0.57 0.47 1.18 0.105

	ØD (mm)	F (mm)	H (mm)	J (mm)	L_2 (mm)	Weight (kg)
0104 10 00	10	19	14.5	12	30	0.105



### Catalogues/Families

Suitable for the following equipment models:

CLASSIC 3 P	
EASY TO PLATE EVO 3 IPD	
EASY TO PLATE EVO 3 IPI	
EASY TO PLATE EVO 4 IPD	
EASY TO PLATE EVO 4 IPI	
EASY TO PLATE EVO 5 BPD	
EASY TO PLATE EVO 5 BPI	
EASY TO PLATE EVO 5 IPD	

EASY TO PLATE EVO 5 IPI	
EVO 3 IP	
EVO 4 IP	
EVO 5 BP	
EVO 5 IP	
Spare Part Type	
Hydraulic Component	
Pneumatic Component	
Spare Part Group	
Others	
Stock Type	
Standard Stock	

**Product Gallery**

