

## CG-045 - Door switch



**Spare Part Number:** CG-045

**Net Weight:** 87.00g

**Net Dimensions:** 82.50mm x 31.00mm x 30.00mm

**Technical Datasheet:** [Protected Link](#)

### Description

## CG-045 Door safety switch

Miniature safety-door hinge switch designed for space saving guarding in machines and safety equipment.

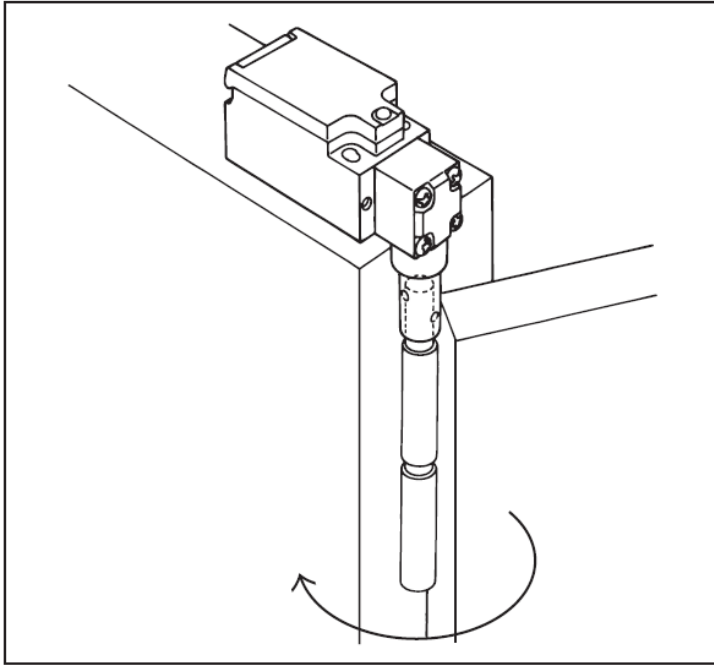
D4NH-4BAS

### Basic Specs

#### General description

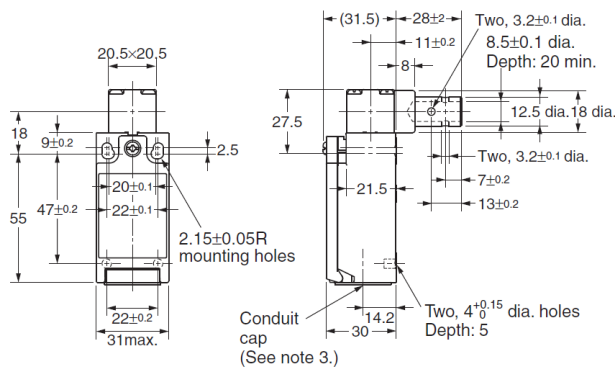
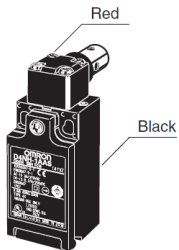
Door switch type	Hinge-operated
Material housing	Plastic
Material head	Plastic
Actuator type	Shaft
Door contacts NC	2
Door contacts NO	0
Connection method	Terminal block

Degree of protection (IP)	IP67
Conduit size	M20
Number of conduits	1
Switch action	Slow action
Shape	Cuboid
Overall length	82.5 mm
Height of sensor	30 mm
Width sensor	31 mm



D4NH-□B□	2NC			<p>Only NC contacts 11-12 and 31-32 have an approved direct opening mechanism. (→)</p> <p>The terminals 11-12 and 31-32 can be used as unlike poles.</p>
----------	-----	--	--	--

D4NH-1□AS    D4NH-2□AS  
D4NH-3□AS    D4NH-4□AS  
D4NH-9□AS (See note 4.)



OF max.	0.15 N·m
PT 1 (NC)	(7°) (MBB: 10°)
PT 2 (NO)	(19°) (MBB: 5°)
DOT min.	18°
DOF min.	1 N·m

## Equipment reference

EASY TO PLATE EVO 4 IPI Ref. **S18**

EASY TO PLATE EVO 5 IPI Ref. **S18**

EASY TO PLATE EVO 5 BPI Ref. **S18**

## Catalogues/Families

Suitable for the following equipment models:

EASY TO PLATE EVO 4 IPI	
----------------------------	--

EASY TO PLATE EVO 5 BPI	
----------------------------	--

EASY TO PLATE EVO 5 IPI	
----------------------------	--

Spare Part Type	
-----------------	--

Electrical Component	
----------------------	--

Spare Part Group	
------------------	--

Sensor	
--------	--

Stock Type	
------------	--

Standard Stock	
----------------	--

## Product Gallery

